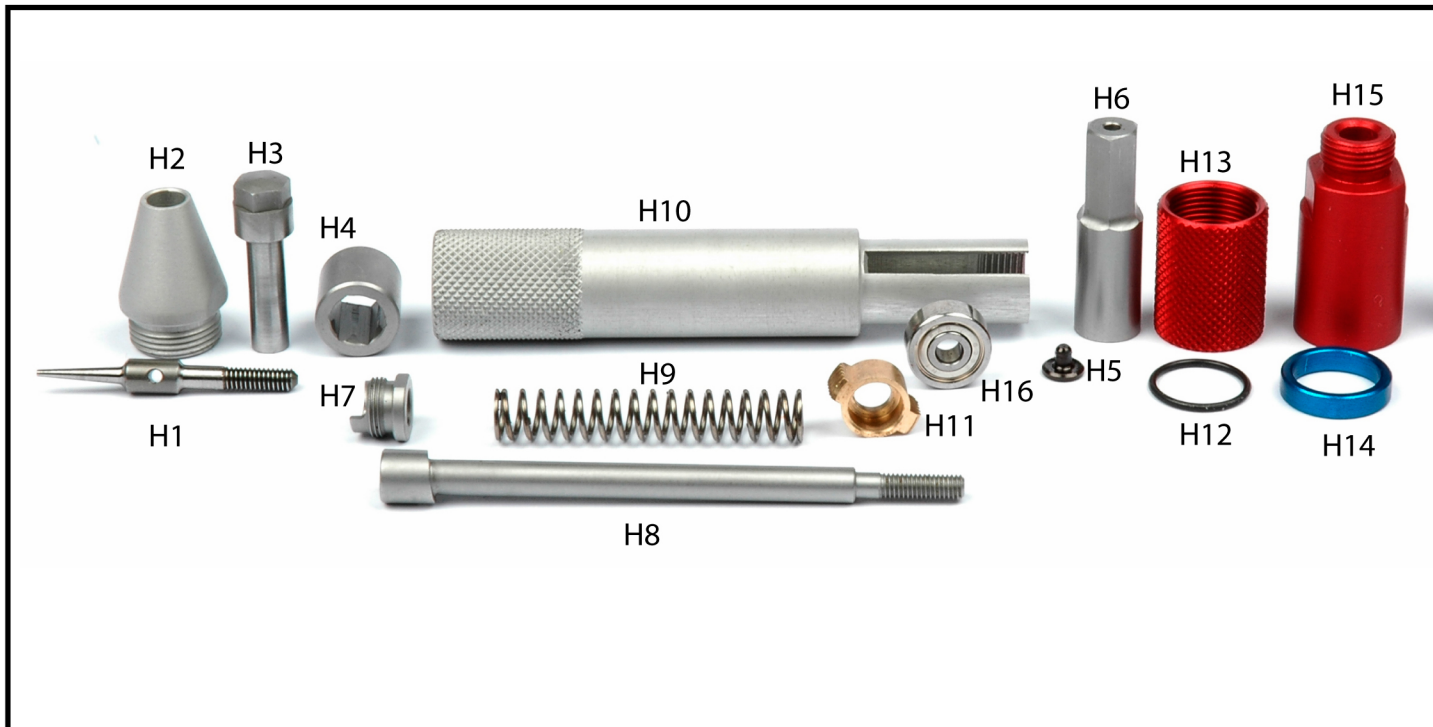
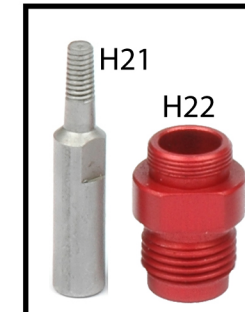


Parts



- |                         |                     |                     |
|-------------------------|---------------------|---------------------|
| H1 Tip                  | H8 Stem             | H15 Bearing Support |
| H2 Cone                 | H9 Spring           | H16 Bearing         |
| H3 Tip Holder           | H10 Body            |                     |
| H4 Anti-Rotation Casing | H11 Tensioner       |                     |
| H5 Shock Absorber       | H12 O Ring          |                     |
| H6 Striker              | H13 Adjustment Ring |                     |
| H7 Snail                | H14 Ring            |                     |

Connections



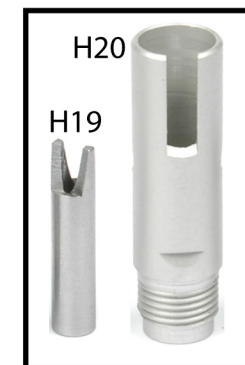
*Duplex Spring Adaptator*

- H21 Duplex Drive  
H22 Duplex Connection



*US QD Connection*

- H17 US Drive  
H18 QD Connection



*European Connection*

- H19 European Drive  
H20 European Connection